



Current Sensor / Transducer

ROHS Compliant

ELECTRICAL DATA/INPUT :

Primary Nomind R.M.S. Current Ir(A)	Primary Current Measuring Range Ip(A) at Vcc=15V	Part Name Type	Part Number
3	±9	CTF0030	CT006A
3.75	±11.25	CTF375B	CT006B
4	±12	CTF0040	CT006C
5	±15	CTF0050	CT006D
6.25	±18.75	CTF625B	CT006E
7.5	±22.5	CTF075A	CT006F
10	±30	CTF0100	CT006G
12.5	±37.5	CTF125A	CT006H
15	±45	CTF0150	CT006I
17.5	±52.5	CTF175A	CT006J
20	±60	CTF0200	CT006K
25	±75	CTF0250	CT006L
30	±90	CTF0300	CT006M
35	±105	CTF0350	CT006N
37.5	±112.5	CTF375A	CT006O
40	±120	CTF0400	CT006P
45	±135	CTF0450	CT006Q
50	±150	CTF0500	CT006R
Vcc	Supply Voltage		±15V ±5%
Ic	Current Consumption		<20mA
Vis	R.M.S. Voltage for 2.5KVAC Isolation test, 50/60Hz, 1min		<10mA
Ris	Isolation Resistance at 500 VDC		>500Mohm

ELECTRICAL DATA/OUTPUT

Vout	Output voltage at Ir, TA=25	4V
Rout	Output Impedance	<150 ohm
RL	Load Resistor	>10Kohm

ACCURACY :

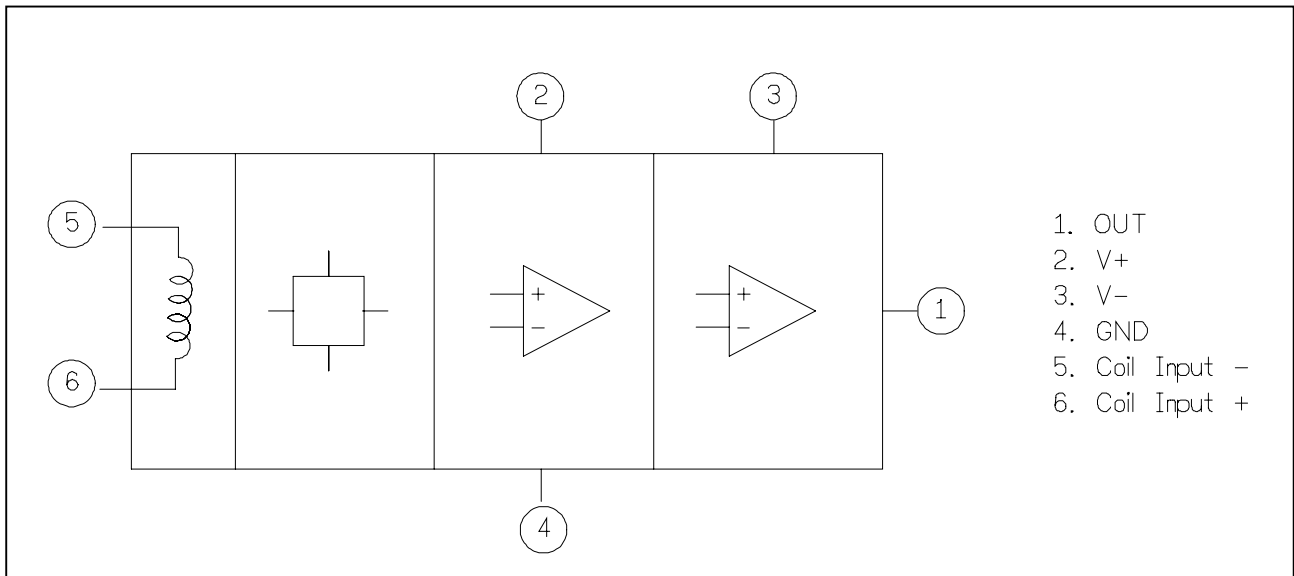
X	Accuracy at Ir, TA=25 (without offset)	<1%
EL	Linearity from 0 to Ir, TA=25	<1%
Voe	Electrical Offset Voltage , TA=25	<40mV
Vom	Magnetic Offset Voltage (Ir = 0)	<15mV
Vot	Thermal Drift of Offset Voltage	<2mV/
T.C.	Thermal Drift (-10 to 50)	<±0.1%/
Tr	Response Time @90% of Ip(f=1KHz)	<3uS
fb	Frequency Bandwidth (-3dB)	50KHz

GENERAL DATA :

TA	Ambient Operating Temperature	-10 ~ +80
Ts	Ambient Storage Temperature	-25 ~ +85



Function Block Diagram



Pin Definition (tolerance: ±0.3)

DIMENSIONS: (mm)

Terminal Pin Identification

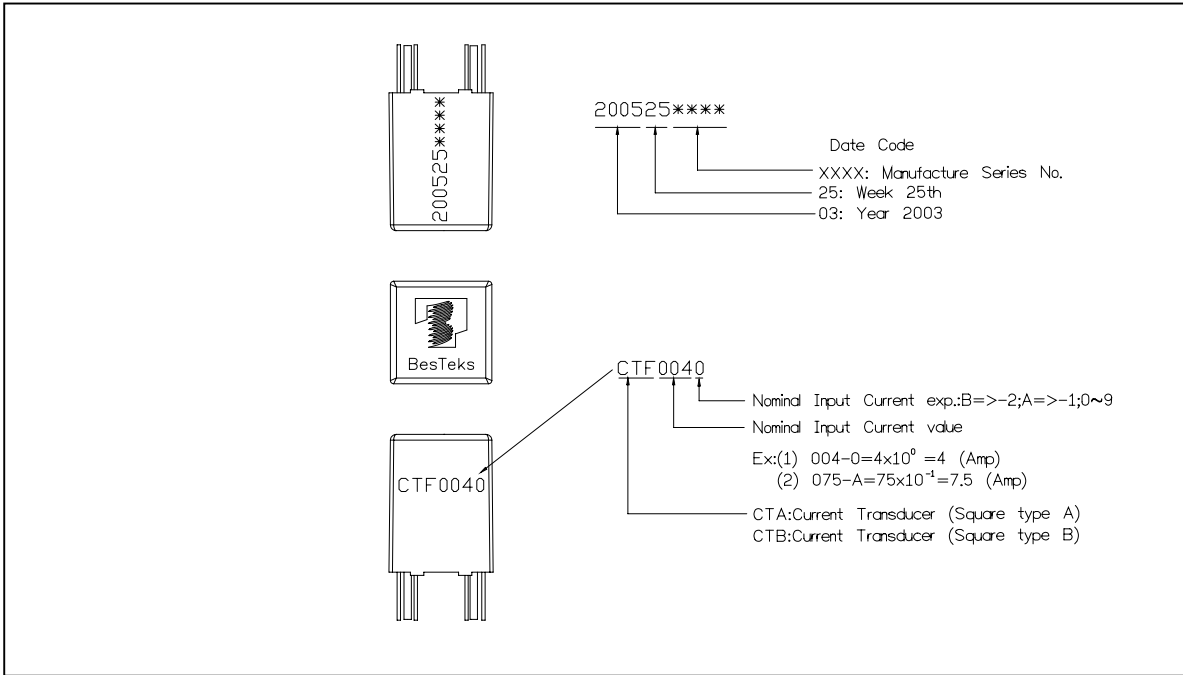
1. OUT
2. V+
3. V-
4. GND
5. Coil Input -
6. Coil Input +

Primary Conductor	Terminal
CTF0030	∅0.6
CTF375B	∅0.6
CTF0040	∅0.6
CTF0050	∅0.8
CTF625B	∅0.8
CTF075A	∅1.0
CTF0100	∅1.0
CTF125A	∅1.6
CTF0150	∅1.6
CTF185A	∅1.6
CTF0200	∅1.6
CTF0250	∅1.6
CTF0300	∅2.2
CTF0350	∅2.2
CTF375A	∅2.2
CTF0400	∅2.2
CTF0450	∅2.2
CTF0500	∅2.2

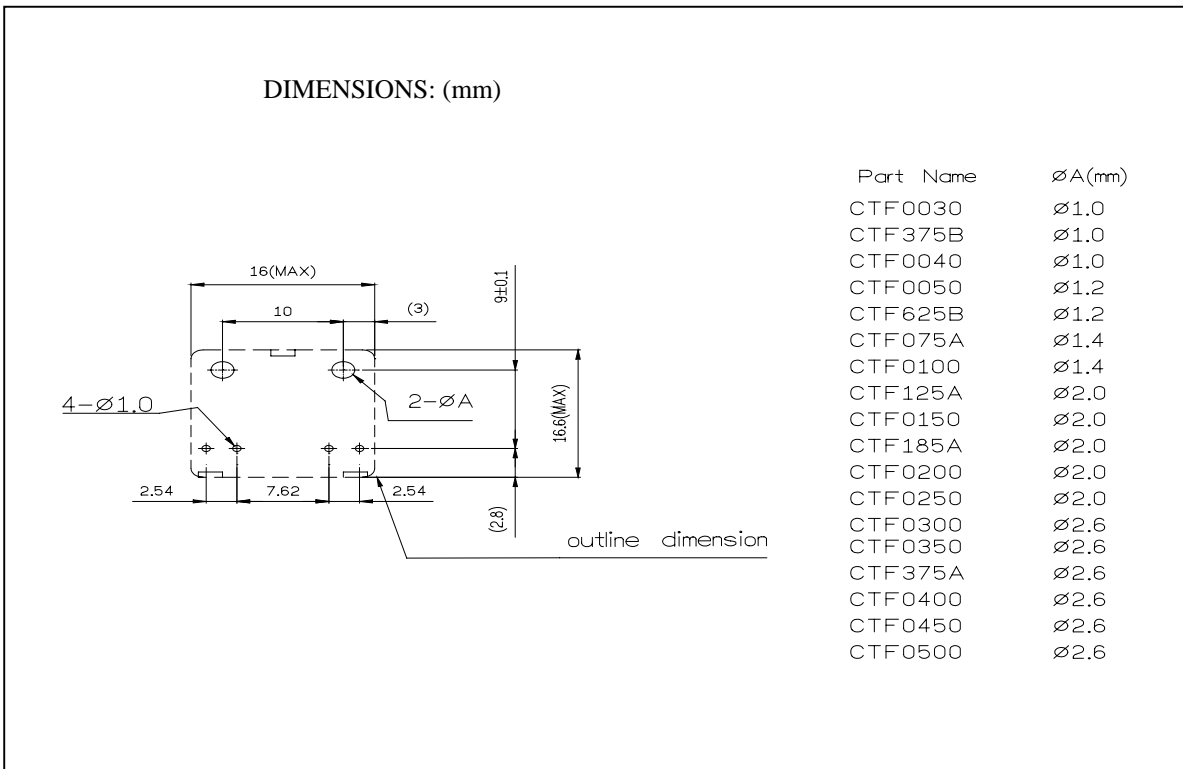


Marking & Description

ROHS Compliant



Hole recommend (tolerance: ±0.3)



NOTE :

1. For the purpose of quality innovation, we will change circuit, layout and even component without notice. However we assure all the performance is in accord with this data sheets' specification.
2. Our product is been qualified by our QA system, we offer 6 months guarantee period after shipping. It supplies only under the right application of the user. We make no assurance while improper operation.